

Modular Split-A-Part Shredder Technical Specifications

The Republic Machine Modular Split-a-Part Series Single Shaft Shredder (**US Patent**) has revolutionized the size reduction market with its incredible production rates and simplicity of service. These low-speed high-torque shredders are powered by 100hp-300hp robust Right Angle Direct Coupled Drive Trains. Republic Machine cutting systems are afforded the Ultimate in protection with the Over-Torque Limiting Clutch Assembly which removes all inertial energy from the gear drive and rotor in a catastrophic metal contamination incident common in recycling. Sophisticated Allen Bradley MicroLogix PLC Control and a large HMI color touchscreen provide all the necessary settings required to run difficult industry applications.



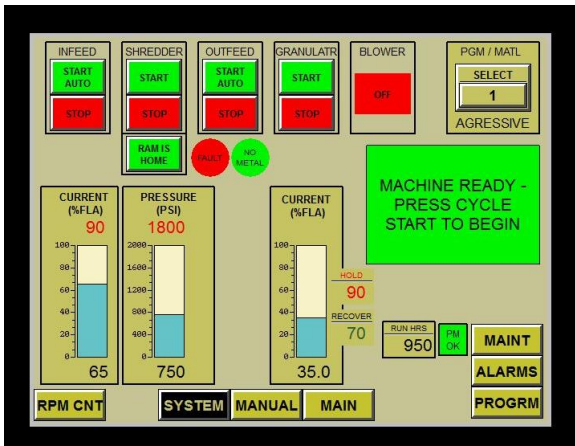
Specifications	42	52	62	52	62	72	
Rotor Diameter	15"			20"			
Rotor Motor Size	50 - 125 HP	75 - 200 HP	125 - 300 HP	75 - 200 HP	100 - 250 HP	125 - 300 HP	
Rotor Speed	110 - 130 RPM			110 - 130 RPM			
Cutters (1-Row)	Hawksbill	30	37	45	37	45	53
	Zoidal XL	17	21	26	21	26	33
Ram Height	11"			17"			
Ram Hydraulic Motor	7.5 HP			7.5	15		
Hopper Opening (WxL)	42" x 52"	52" x 60"	62" x 80"	52" x 60"	62" x 80"	73" x 101"	
Hopper Volume	71 cu-ft	99 cu-ft	161 cu-ft	108 cu-ft	175 cu-ft	260 cu-ft	
Weight Approx. (tons)	8.5	11.0	13.0	12.5	14.5	17.5	
Throughput (estimated)	600 - 2500	800 - 3,500	1,000 - 5,000	800 - 4,000	1,000 - 6,000	1,500 - 8,000	
Voltage	460V / 3Ph / 60Hz						

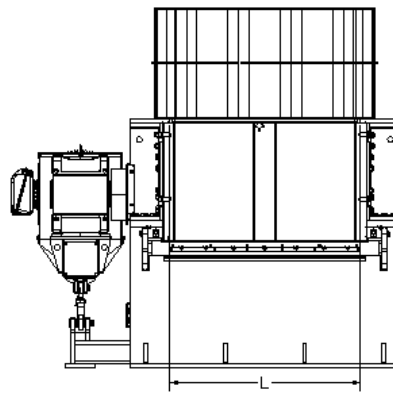
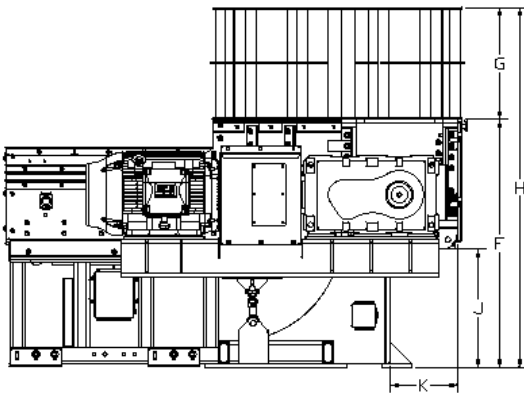
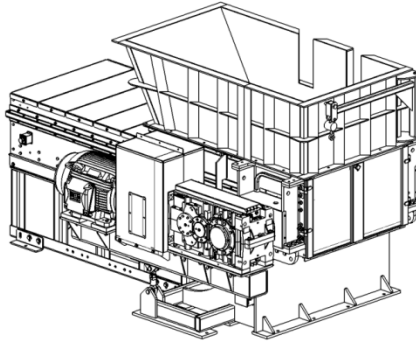
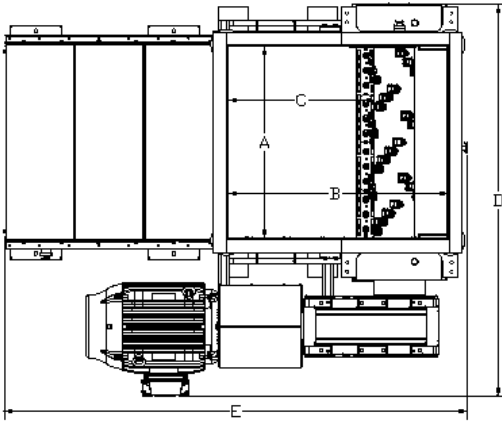
Specifications, appearances, and dimensions are subject to change without notice.



Standard Features

- Extreme Heavy Duty All Steel Construction
- EZ Service Modular Split-a-Part Series Design **US Patent**
 - Direct Access to Rotor, Compartment, Cutting System, Drive Train, Wipers, & Cylinder Pin
- Single Piece Solid Forged Rotor Heat Treated for Strength
 - Self-Cleaning Non-contaminating Rotor Seals
- Rigid Product (Hawksbill) Film/Fiber (Zoidal) Cutting Systems **US Patent**
- Reversible & Sharpenable Counter Knives
- Oversized Outboard Pillow Block Bearings
- Right Angle Direct Coupled Drive with Over-Torque Limiting Clutch Assembly provide the Ultimate in Drive Train and Rotor Protection
 - 100HP to 300HP Standard Drive Systems
 - Removes All Inertial Energy from the Rotor & Gearbox Drive
- Allen-Bradley MicroLogix 1400 PLC & Red Lion Color Touch Screen
 - Electronic Soft Start
 - Motor Amperage and Ram Pressure Control
- Adjustable Anvil for tight Counter Knife Clearance
- High Speed Dual Pump Hydraulic Ram System
- Customizable Infeed Hoppers
- Revision Controlled SolidWorks™ 3-D Design
- Warranty Statement
 - One Year Warranty on Manufacturing and Parts
 - Limited Lifetime Warranty on Forged Rotor





	42"	52"	62"	52"	62"	72"
	15" ROTOR			20" ROTOR		
A	42.1	51.4	62.3	51.4	62.3	73.3
B	51.5	59.0	79.8	58.8	79.8	100.2
C	31.9	39.4	59.6	36.7	57.7	78.1
D	87.3	101.8	116.3	105.1	116.3	134.8
E	109.2	124.2	164.2	124.2	164.2	210.2
F	66.5	66.5	66.5	66.5	66.5	71.5
G	30.0	30.0	30.0	30.0	30.0	30.0
H	96.5	96.5	96.5	96.5	96.5	101.5
J	33.8	31.8	31.8	31.8	31.8	33.8

Specifications, appearances, and dimensions are subject to change without notice.

Optional Features

- Multiple Cutter Rows
 - Rigid (Hawksbill) & Film/Fiber (Zoidal) Cutting Systems
 - Bolt-In Replaceable Tool Holders
- VFD Motor Control
- Ethernet Module for Remote PLC Access
- Extended Compartment Lengths
- Corrugated Compartment Floor & Top of Ram Plate
- Closed Loop Ram Velocity Speed Control for High Friction Coefficient Materials
- Special High Efficiency Screens
 - Round, Square and Rectangular Holed Close Tolerance Screens
 - Grooved Screen [US Patent](#) with Close Cutting Tolerance
 - Grooved Triple-Cut Screen Providing Granulator Performance from a Shredder down to 3/8"
- Water Cooled Rotor and Anvil
- Modular Wear Components available in High Abrasion Applications
- Customizable Hoppers
 - Angled Hopper Walls
 - Fork Slot Hopper Openings
 - Enclosed Hoppers with Flap Assembly for Product Containment
- Jib Crane with Hand Hoist for Easy Screen Removal

Optional Auxiliary Components

- Belt Infeed & Outfeed Conveyor Systems
- Gaylord Box Dumpers
- Auger Outfeed Systems
- Integrated Downstream Granulators
- Discharge Blower Evacuation Systems
- Complete System Control Integration
- Magnetic Separators & Detector Systems
- Material Fines Separation & Classification Systems



4215 Produce Road, Louisville, KY 40218
 Phone: (502) 637-6778 Fax (502) 637-6779
www.republicmachine.com
sales@republicmachine.com