

Coffin Shredder Technical Specifications

The Long Compartment Pipe & Profile Coffin Shredder is designed to accept oversized Injection, Extrusion, Blow & Roto Molded Product (sheet, pipe, profile, large dunnage container & tank product). Materials that are typically difficult for standard vertical feed shredders to accommodate with smaller (15" to 20") diameters rotors. Sophisticated MicroLogix Based PLC Control and a large Color HMI touchscreen provide all the necessary settings required to run difficult industry applications.



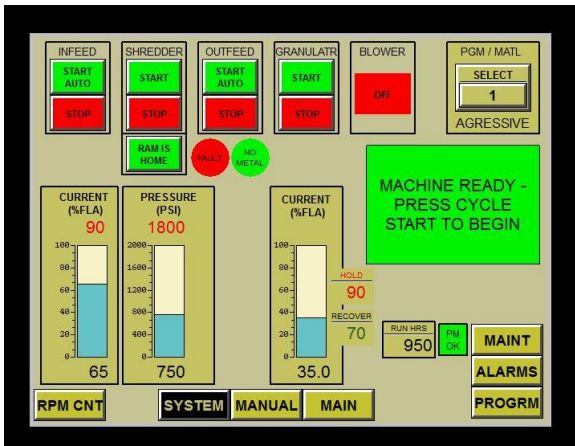
Specifications	25	32	42	54
Rotor Diameter	2 X 16"	2 X 20"	2 X 26"	2 X 34"
Rotor Motor Size	40 - 60 HP	50 - 75 HP	60 - 100 HP	75 - 150 HP
Cutters (2-Rows) Hawksbill	2 X 36	2 X 44	2 X 60	2 X 70
Ram Size (WXH)	25" X 25"	32" X 32"	42" X 42"	54" X 54"
Ram Hydraulic Motor (HP)	10.0 HP			
Compartment Length	20 - 30 Feet			
Weight Approx. (tons)	16.5	18.0	19.5	21.5
Throughput (lbs/hr)	2,500 - 4,500	3,000 - 5,000	4,000 - 6,000	5,000 - 10,000
Voltage	460V / 3Ph / 60Hz			

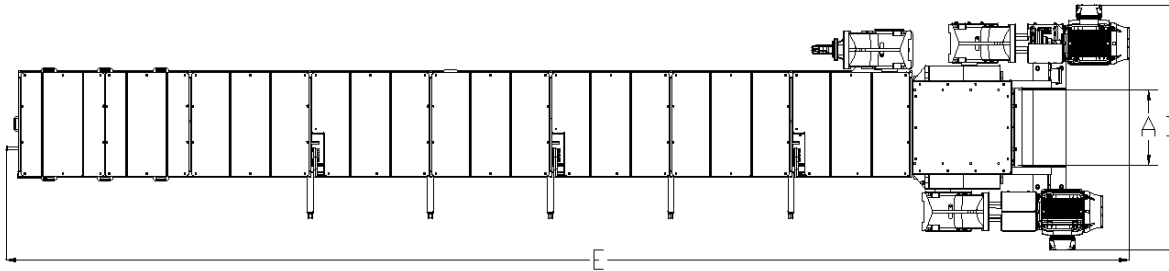
Specifications, appearances, and dimensions are subject to change without notice.



Standard Features

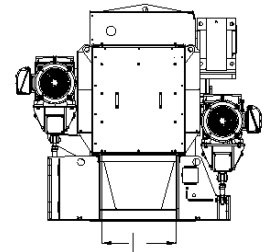
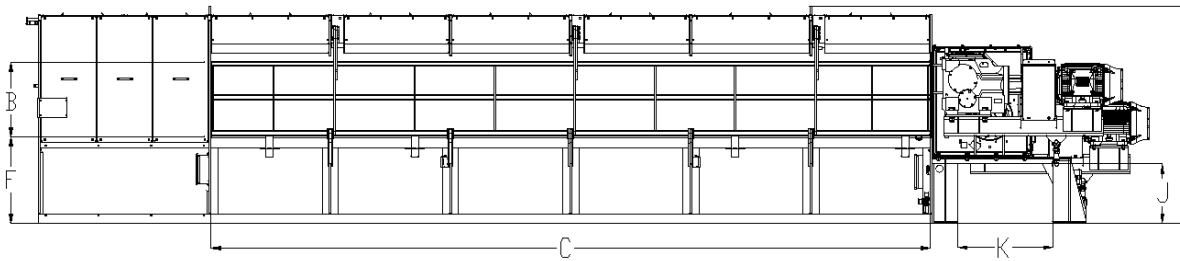
- Heavy Duty All Steel Construction
- Large Diameter Heavy Duty Rotors
 - Bolt-In Replaceable Tool Holders
- High Impact/High Wear 4-Way Indexable 40mm Square Cutters
- Reversible & Sharpenable Case Hardened Counter Knives
- Oversized Outboard Pillow Block Bearings w/ Split Bearing Housings
- Self-Cleaning Non-contaminating Rotor Seals
- Right Angle Direct Coupled Drive with Over-Torque Limiting Clutch Assembly provide the Ultimate in Drive Train and Rotor Protection
 - Removes All Inertial Energy from the Rotor & Gearbox Drive
- 25' (300") Long Extended Compartment for All Compartment Sizes.
 - 25" x 25", 32" x 32", 42" x 42" & 54" Square Compartments
- Allen-Bradley MicroLogix PLC Control System
 - Large Color Display HMI Touch Screen
- Electronic Soft Start
- Conveyor, Auger or Pneumatic Discharge Chutes Available
- Removable Rear Compartment Rotor/Screen Chamber Access Door
- Revision Controlled SolidWorks™ 3-D Design
- Warranty Statement
 - One Year Warranty on Manufacturing and Parts
 - Limited Lifetime Warranty on Forged Rotor against breakage





	25"	32"	42"	54"
A	25.6	31.1	41.1	53.1
B	25.5	31.0	41.0	53.0
C	300.0	300.0	300.0	300.0
D	95.5	102.0	112.0	124.0
E	449.1	457.1	469.1	481.1
F	36.0	36.0	36.0	36.0
H	82.3	90.3	102.3	114.3
J	24.7	24.7	24.7	24.7

Specifications, appearances, and dimensions are subject to change without notice.

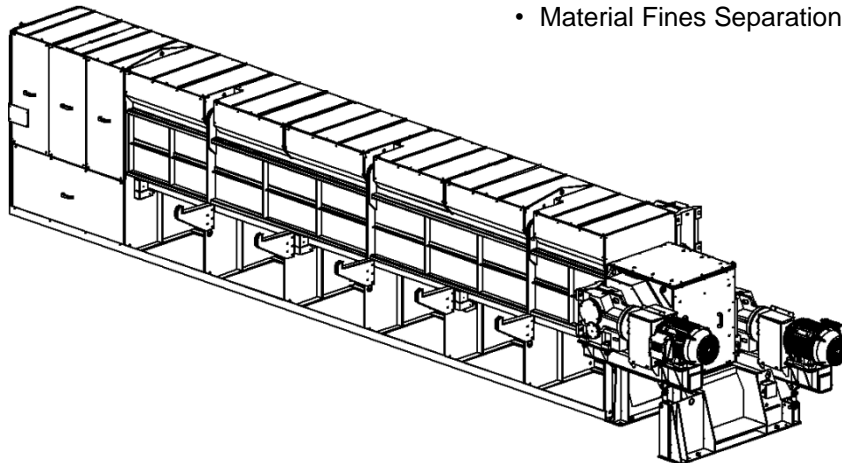


Optional Features

- Multiple Cutter Rows
- VFD Motor Control
- Ethernet Module for Remote PLC Access
- Standard Round Hole Screens 1-1/2" thru 4" Size
- Water Cooled Rotors
- Screens for Final Material Sizing 1-1/2" to 4" Round
- Weld On Fixed Tool Holders

Optional Auxiliary Components

- Belt Outfeed Conveyor Systems
- Auger Outfeed Systems
- Integrated Downstream Granulators for
 - Final Sizing of Re grind Material
- Discharge Blower Evacuation System
- Complete System Control Integration
- Magnetic Separators & Detector Systems
- Material Fines Separation & Classification Systems



4215 Produce Road, Louisville, KY 40218
Phone: (502) 637-6778 Fax (502) 637-6779

www.republicmachine.com
sales@republicmachine.com