

Modular Split-A-Part Shredder Technical Specifications

The Split-a-Part shredder has revolutionized the size reduction market with its incredible production rates and simplicity of service. These low-speed high-torque shredders are available in 42" thru 90" widths and are powered by 40 thru 300 HP electric motors. Full functioned touch-screen PLC controls provide all the necessary settings required to run any application. The modular design allows these grinders to be custom engineered for any process.

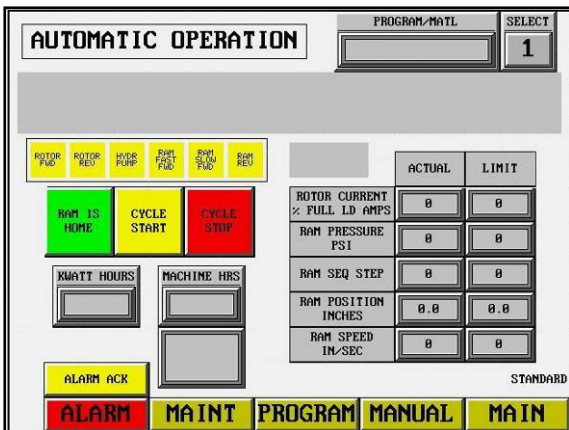
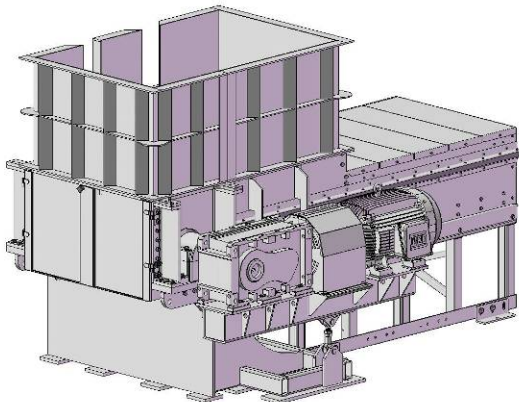


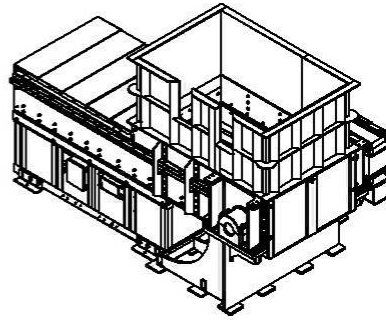
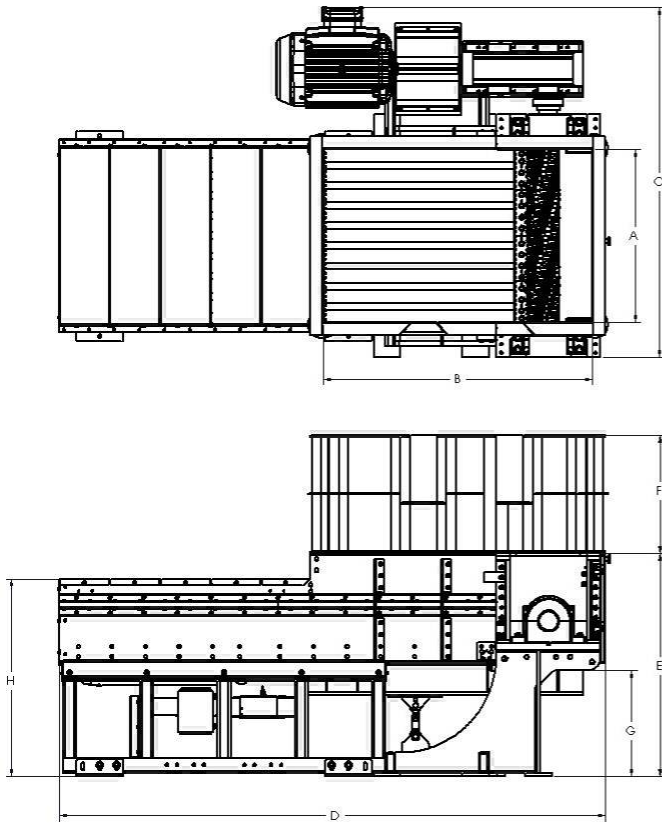
Specifications	42"	52"	62"	72"	90"
Motor (HP)	40 - 100 HP	75 - 200 HP	125 - 250 HP	150 - 250 HP	250 - 300 HP
Rotor Dia (in)	15"			20"	
Rotor Speed (RPM)	109 - 130 RPM				
Cutters (Hawksbill 40mm)	30 - 60 - 90	37 - 74 - 111	45 - 90 - 135	53 - 106 - 159	65 - 130 - 195
Cutters (Zoidal)	38 - 57 - 76 - 95	46 - 69 - 92 - 115	56 - 84 - 112 - 140	66 - 99 - 132 - 165	40 - 80 - 120 - 160
Ram Height (in)	11"			17"	
Ram Hydraulic Motor (HP)	7.5 HP			15 HP	
Hopper Opening (WxL) (in)	42" x 48" (Varies)	52" x 58" (Varies)	62" x 90" (Varies)	72" x 101" (Varies)	90" x 120" (Varies)
Voltage	460V / 3 / 60 (Customer Specified)				
Weight Approx. (tons)	8	10	13.5	18	28

Specifications, appearances, and dimensions are subject to change without notice.

Standard Features

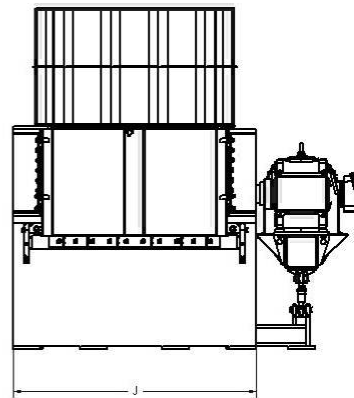
- EZ Service Split-a-Part Design US Patent
 - Direct Access to Rotor, Counterknives, Wipers, & Cylinder Pin
- Solid Alloy Steel One-Piece Forged Rotor Limited Lifetime Warranty
- Oversized Outboard Pillow Block Bearings
- Heavy Duty Modular Construction
- Indexable Hawksbill –or– Zoidal Cutters US Patent
- Bolt-in Replaceable Tool Holders
- Allen-Bradley PLC with Color HMI Touch Screen Control
 - Motor Amperage and Ram Pressure controls
- Controlled Over-torque Limiting Clutch
 - V-Belt Drive with Falk Gearbox (up to 100hp)
 - Right Angle Drive with Falk Gearbox (125hp and up)
- Electronic Soft Start
- Adjustable Anvil for Counterknife Clearance
- Reversible Counterknives
- Self-Cleaning Non-contaminating Rotor Seals
- Dual Pump Hydraulic Ram System
- Straight Walled Hopper - Customizable
- Removable Rear Compartment Access Covers
- Screens for Sizing Material 1" to 4" Hole Size
- Revision Controlled SolidWorks™ 3-D Design
- Warranty Statement
 - One Year Warranty on Manufacturing and Parts
 - Three Year Manufacturers Warranty on Falk Drive Train
 - Limited Lifetime Warranty on Forged Rotor





	42"	52"	62"	72"	90"
A	42.13	51.38	62.25	73.25	90.0
B	48.0	58.0	90.0	101.0	120.0
C	94.0	104.0	127.0	138.0	155.0
D	142.0	162.3	226.0	248.0	286.0
E	66.4		72.5		
F	35.00				
G	31.50				
H	58.74		64.74		
J	63.13	72.38	83.25	94.25	111.0

Specifications, appearances, and dimensions are subject to change without notice.

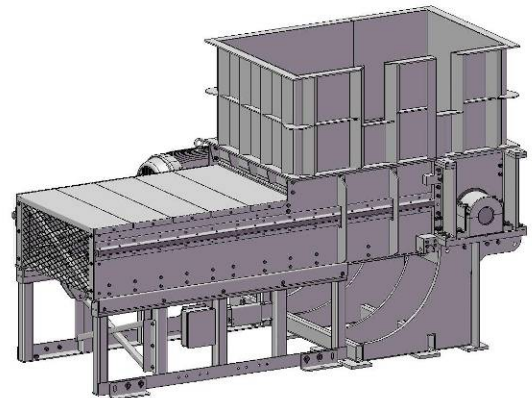


Optional Features

- Multiple Cutter Rows
- VFD Motor Control
- Fluid Coupling
- Ethernet Module for Remote PLC Access
- Extended Length Compartment
- Corrugated Compartment Plate / Ram Top Plate
- Closed Loop Ram Velocity Speed Control
- Screens
 - Grooved Screen US Patent With Close Cutter Tolerance
 - Grooved Triple-Cut Screen Providing Granulator Performance from a Shredder down to 3/8"
- Water Cooled Rotor and Anvil
- Stainless Steel Machine Components - Modular
- Removable Cleanout Tray on Rollers
- Hoppers
 - Angled Hopper Walls
 - Fork Slot Hopper Openings
 - Automatic Cover for Product Containment

Optional Auxiliary Components

- Belt Infeed / Outfeed Systems
- Auger Outfeed Systems
- Magnet Separators
- Metal Separation Equipment
- Gaylord Box Dumpers
- Outfeed Size Classification System
- Complete System Control Integration



4104 Bishop Lane, Louisville, KY 40218
Phone: (502) 637-6778 Fax (502) 637-6779

www.republicmachine.com
sales@republicmachine.com