

# Split-A-Part Grinder / Shredder Technical Specifications

The Split-a-Part grinder has revolutionized the size reduction market with its incredible production rates and simplicity of service. These low-speed high-torque grinders are available in 42" thru 72" widths and are powered by 40 thru 250 HP electric motors. Full functioned touch-screen PLC controls provide all the necessary settings required to run any application. The modular design allows these grinders to be custom engineered for any process.

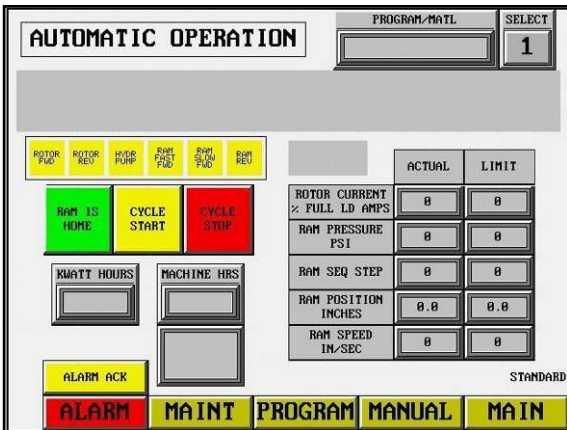
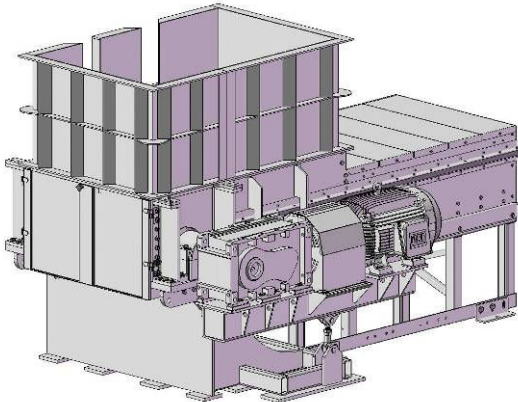


Specifications	42"	52"	62"	72"
Motor (HP)	40 - 100 HP	75 - 200 HP	125 - 250 HP	150 - 250 HP
Rotor Dia (in)	15"		15" or 20"	
Rotor Speed (RPM)	109 - 130 RPM			
Cutters (Hawksbill 40mm)	30 - 60 - 90	37 - 74 - 111	45 - 90 - 135	53 - 106 - 159
Cutters (Zoidal)	38 - 57 - 76 - 95	46 - 69 - 92 - 115	56 - 84 - 112 - 140	66 - 99 - 132 - 165
Ram Height (in)	11"		17"	
Ram Hydraulic Motor (HP)	7.5 HP		15 HP	
Hopper Opening (WxL) (in)	42" x 48" (Varies)	52" x 58" (Varies)	62" x 90" (Varies)	72" x 101" (Varies)
Voltage	460V / 3 / 60 (Customer Specified)			
Weight Approx. (tons)	8	10	13.5	18

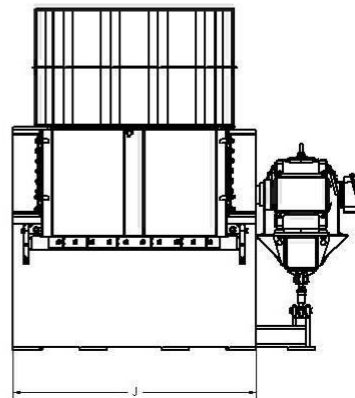
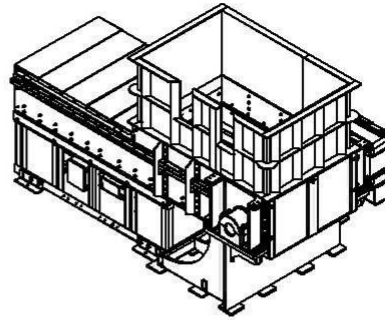
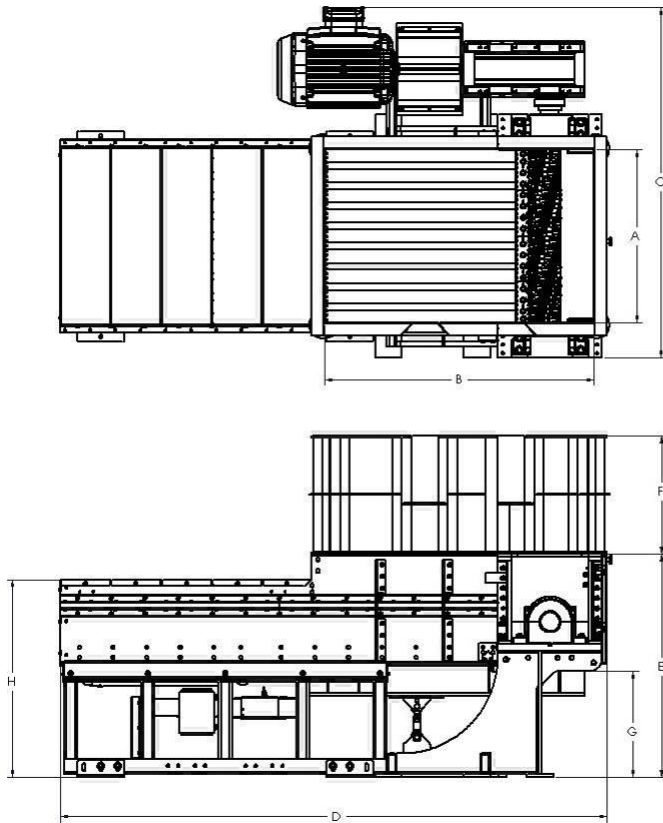
Specifications, appearances, and dimensions are subject to change without notice.

## Standard Features

- EZ Service Split-a-Part Design US Patent Pending
  - Direct Access to Rotor, Counterknives, Ram Wipers, & Ram Cylinder Pin
- Solid Alloy Steel One-Piece Forged Rotor Limited Lifetime Warranty
- Oversized Outboard Pillow Block Bearings
- Heavy Duty Modular Construction
- Indexable Hawksbill –or– Zoidal Cutters US Patent
- Allen-Bradley Touch Screen Control
  - Ram Pressure and Motor Amperage controls
- Belt Free Direct Drive Falk Gearbox
  - Controlled Over-torque Limiting Clutch
- Adjustable Anvil for Counterknife Clearance
- Reversible Counterknives
- Self-Cleaning Non-contaminating Rotor Seals
- Two-Speed Hydraulic Ram System
- Straight Walled Hopper - Customizable
- Removable Rear Compartment Access Covers
- Revision Controlled SolidWorks™ 3-D Design
- Warranty Statement
  - One Year Warranty on Manufacturing and Parts
  - Three Year Warranty on Falk Drive Train
  - Limited Lifetime Warranty on Forged Rotor



# Split-A-Part Grinder / Shredder Technical Specifications



	42"	52"	62"	72"
A	42.13	51.38	62.25	73.25
B	48.0	58.0	90.0	101.0
C	94.0	104.0	127.0	138.0
D	142.0	162.3	226.0	248.0
E	66.4		72.5	
F	35.00			
G	31.50			
H	58.74		64.74	
J	63.13	72.38	83.25	84.25

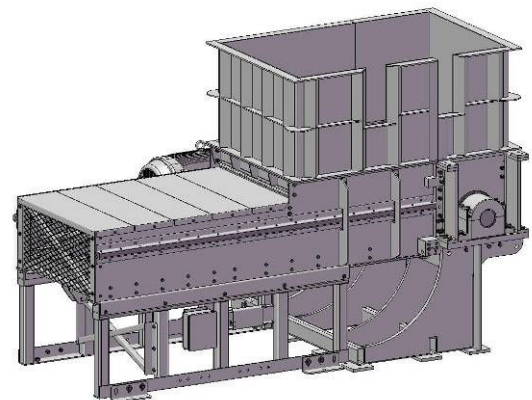
Specifications, appearances, and dimensions are subject to change without notice.

## Optional Features

- Monorail Self Guiding Ram US Patent
- Multiple Cutter Rows
- Electric Soft Start and/or VFD Motor Control
- Electric Motor Fluid Coupling
- Ethernet Module for Remote PLC Access
- Extended Length Compartment
- Corrugated Compartment Plate / Ram Top Plate
- Closed Loop Ram Velocity Speed Control
- Screens
  - Standard Round Hole 3/8" thru 4" Size
  - Triple-Cut Screen Providing Granulator Performance from a Shredder
  - Grooved Screen US Patent With Close Cutter Tolerance
- Water Cooled Rotor and Anvil
- Stainless Steel Machine Components - Modular
- Removable Cleanout Tray on Rollers
- Hoppers
  - Angled Hopper Walls
  - Fork Slot Hopper Openings
  - Automatic Cover for Product Containment

## Optional Auxiliary Components

- Belt Infeed / Outfeed Systems
- Auger Outfeed Systems
- Shaker Table Infeed / Outfeed Systems
- Magnet Separators
- Metal Separation Equipment Gaylord Box Dumpers
- Outfeed Size Classification System
- Complete System Control Integration



1000 W. Ormsby Ave. #25, Louisville, KY 40210  
Phone: (502) 637-6778 Fax (502) 637-6779

[www.republicmachine.com](http://www.republicmachine.com)  
[sales@republicmachine.com](mailto:sales@republicmachine.com)